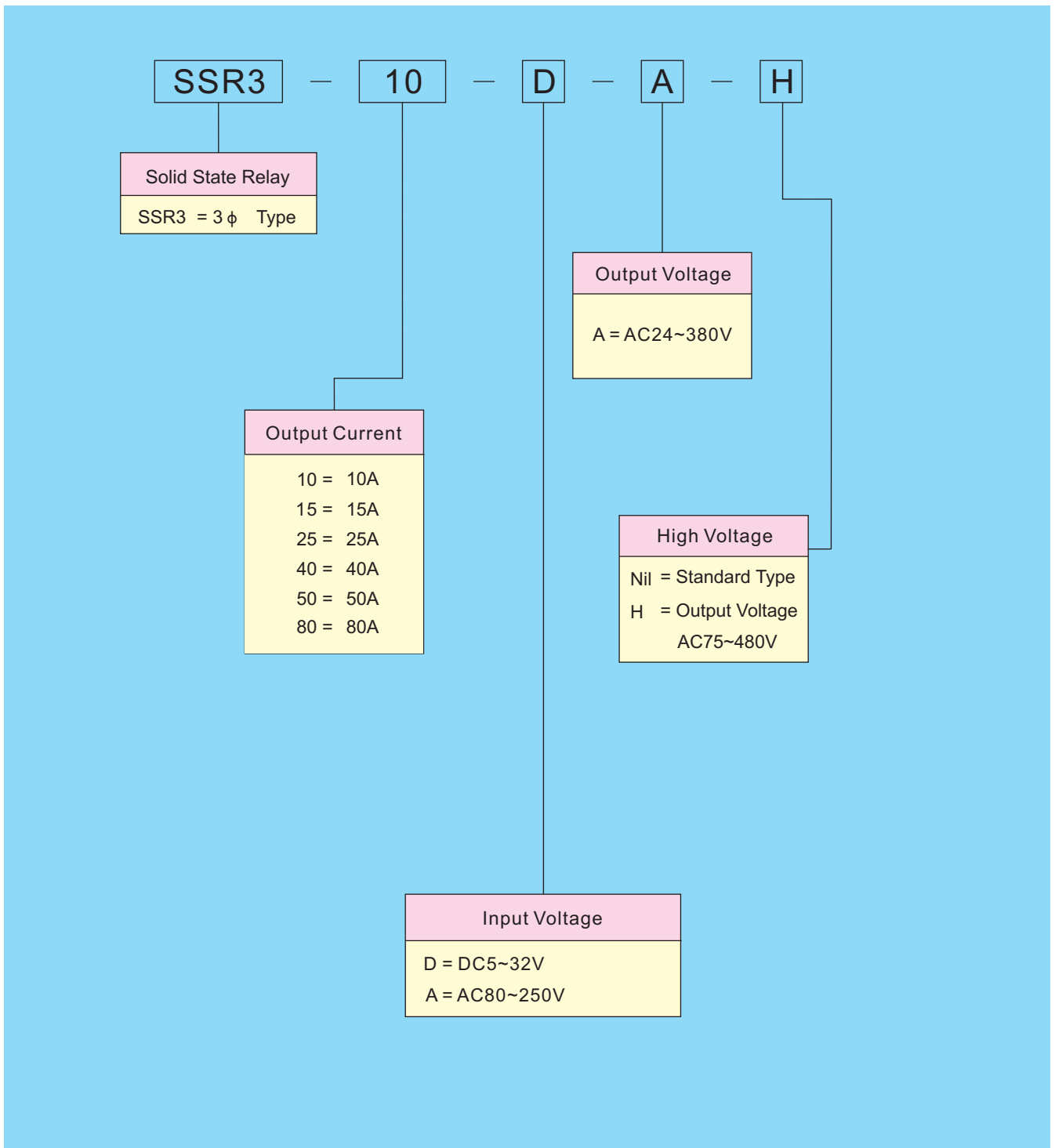


SSR3 Series

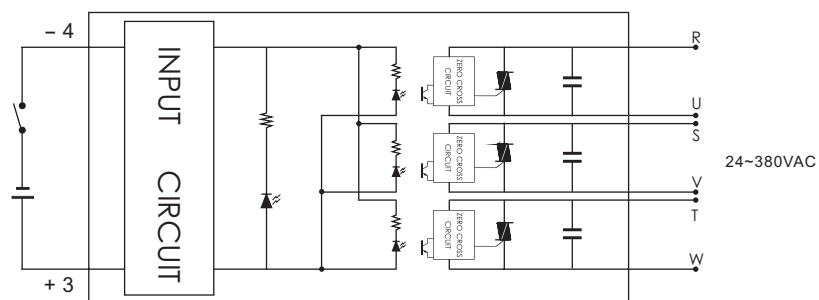


- Built-in operation indicator
- High isolation over than 50MΩ(500VDC)
- High dielectric over than 2.5KV
- Low EMI / EFI & surge by zero cross trigger method
- Output snubber circuit protection



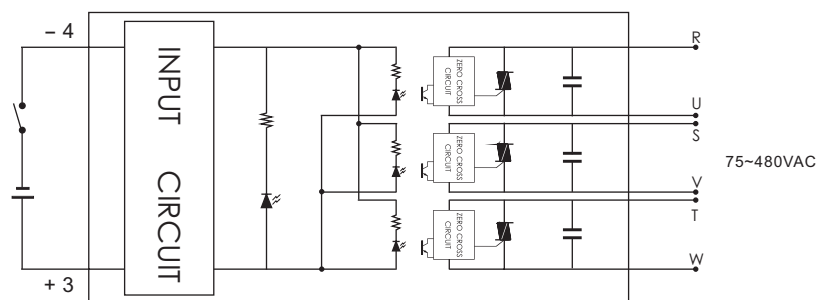
MODEL	SSR3-10DA	SSR3-15DA	SSR3-25DA	SSR3-40DA	SSR3-50DA	SSR3-80DA
LOAD CURRENT	10A	15A	25A	40A	50A	80A
INPUT DATA						
OPERATING VOLTAGE	5~32VDC					
TRIGGER CURRENT	20mA/12VDC max					
CONTROL METHOD	Zero Cross Trigger					
OUTPUT DATA						
OPERATING VOLTAGE	24~380VAC					
VOLTAGE DROP	1.6V					
LEAKAGE CURRENT	< 3.0mA					
RESPONSE TIME	ON<10ms, OFF<10ms					
GENERAL DATA						
INSULATION RESISTANCE	Min. 50M Ω (500VDC)					
DIELECTRIC STRENGTH	2500VAC 50/60 Hz for 1 min					
AMBIENT TEMPERATURE	-20 $^{\circ}$ C ~+80					
AMBIENT HUMIDITY	45%~85%RH					
WEIGHT	Appr. 320g					

CONNECTION DIAGRAM



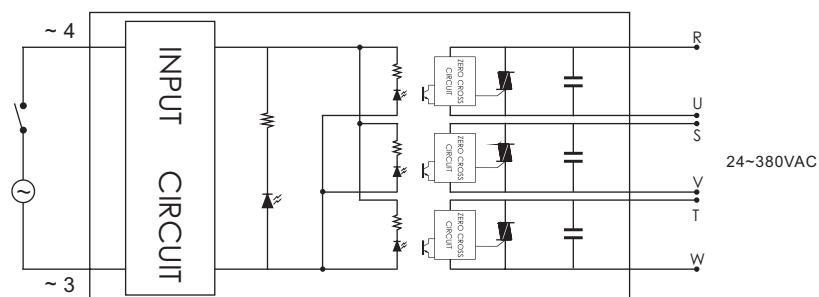
MODEL	SSR3-10DA-H	SSR3-15DA-H	SSR3-25DA-H	SSR3-40DA-H	SSR3-50DA-H	SSR3-80DA-H
LOAD CURRENT	10A	15A	25A	40A	50A	80A
INPUT DATA						
OPERATING VOLTAGE	5~32VDC					
TRIGGER CURRENT	20mA/12VDC max					
CONTROL METHOD	Zero Cross Trigger					
OUTPUT DATA						
OPERATING VOLTAGE	75~480VAC					
VOLTAGE DROP	1.6V					
LEAKAGE CURRENT	< 5.0mA					
RESPONSE TIME	ON<10ms, OFF<10ms					
GENERAL DATA						
INSULATION RESISTANCE	Min. 50M Ω (500VDC)					
DIELECTRIC STRENGTH	2500VAC 50/60 Hz for 1 min					
AMBIENT TEMPERATURE	-20 $^{\circ}$ C ~+80					
AMBIENT HUMIDITY	45%~85%RH					
WEIGHT	Appr. 320g					

CONNECTION DIAGRAM



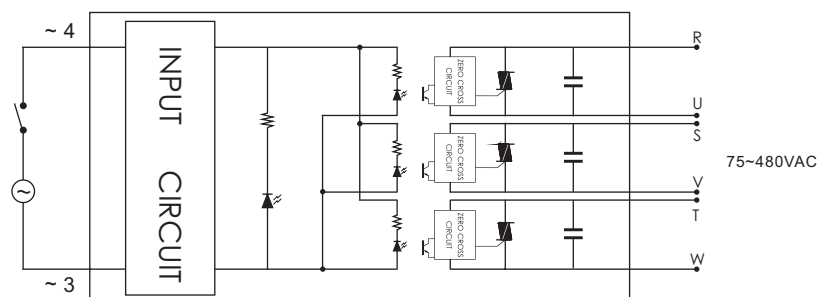
MODEL	SSR3-10AA	SSR3-15AA	SSR3-25AA	SSR3-40AA	SSR3-50AA	SSR3-80AA
LOAD CURRENT	10A	15A	25A	40A	50A	80A
INPUT DATA						
OPERATING VOLTAGE	80~250VAC 50/60Hz					
TRIGGER CURRENT	15mA/110VAC max					
CONTROL METHOD	Zero Cross Trigger					
OUTPUT DATA						
OPERATING VOLTAGE	24~380VAC					
VOLTAGE DROP	1.6V					
LEAKAGE CURRENT	< 3.0mA					
RESPONSE TIME	ON<20ms, OFF<20ms					
GENERAL DATA						
INSULATION RESISTANCE	Min. 50M Ω (500VDC)					
DIELECTRIC STRENGTH	2500VAC 50/60 Hz for 1 min					
AMBIENT TEMPERATURE	-20 $^{\circ}$ C ~+80					
AMBIENT HUMIDITY	45%~85%RH					
WEIGHT	Appr. 320g					

CONNECTION DIAGRAM



MODEL	SSR3-10AA-H	SSR3-15AA-H	SSR3-25AA-H	SSR3-40AA-H	SSR3-50AA-H	SSR3-80AA-H
LOAD CURRENT	10A	15A	25A	40A	50A	80A
INPUT DATA						
OPERATING VOLTAGE	80~250VAC 50/60Hz					
TRIGGER CURRENT	15mA/110VAC max					
CONTROL METHOD	Zero Cross Trigger					
OUTPUT DATA						
OPERATING VOLTAGE	75~480VAC					
VOLTAGE DROP	1.6V					
LEAKAGE CURRENT	< 5.0mA					
RESPONSE TIME	ON<10ms, OFF<10ms					
GENERAL DATA						
INSULATION RESISTANCE	Min. 50M Ω (500VDC)					
DIELECTRIC STRENGTH	2500VAC 50/60 Hz for 1 min					
AMBIENT TEMPERATURE	-20 $^{\circ}$ C ~+80					
AMBIENT HUMIDITY	45%~85%RH					
WEIGHT	Appr. 320g					

CONNECTION DIAGRAM

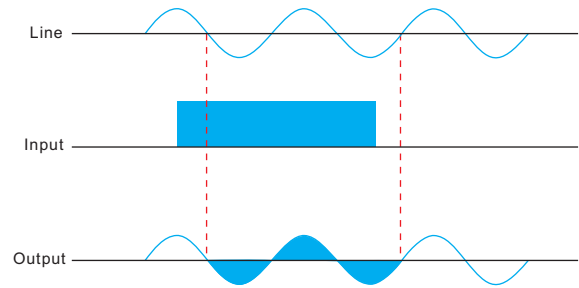


Control Method Zero Cross Trigger Method

Output TURN ON or TURN OFF

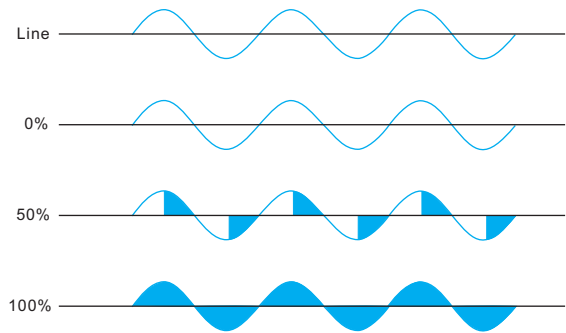
Only on zero cross point of sine wave , may avoid surge or EMI / RFI occuring

Specially suited to control resistive, capacitive and Non-saturated inductive loads



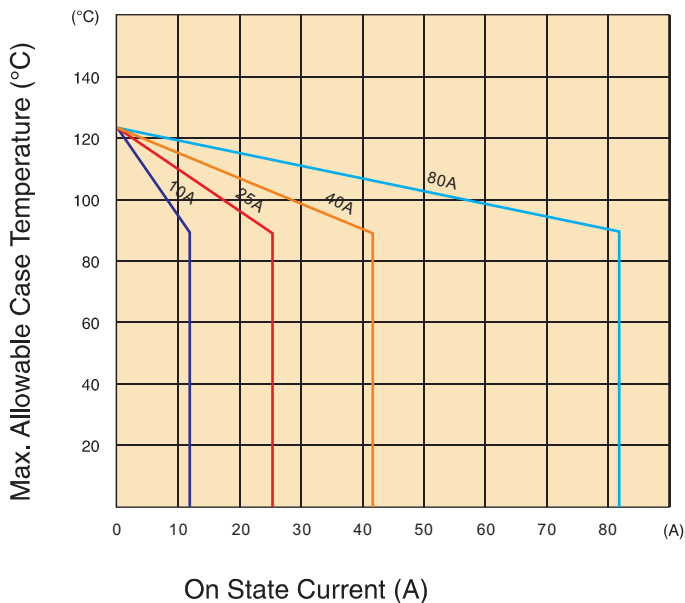
Variable Resistance Control Method < Trimmer Control >

Power output is controlled by the trigger angle of triac With variable resistor 250KΩ / 110VAC, 500KΩ / 220VAC, 1MΩ / 380V

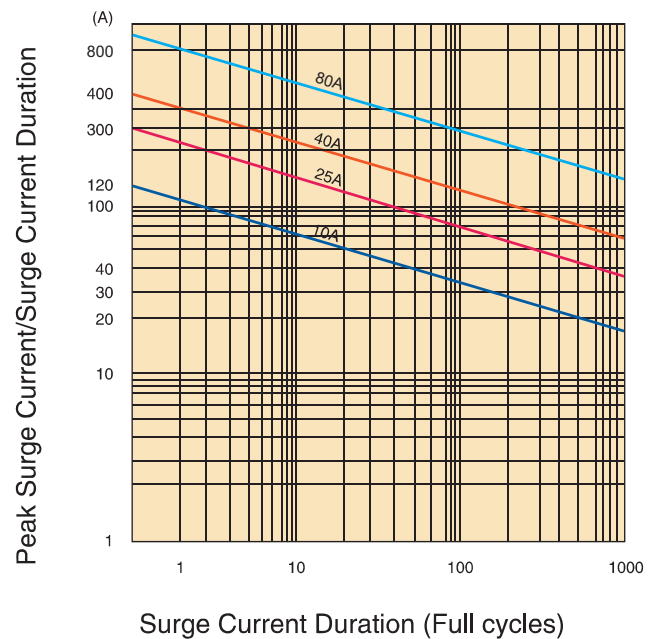


Referance Data

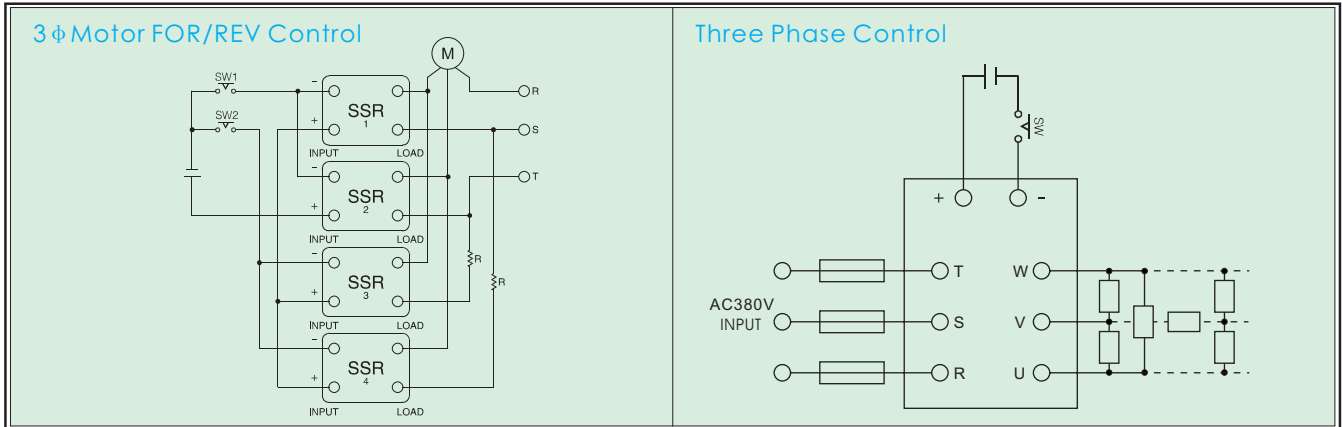
Max. Allowable Case Temperature



Peak Surge Current/Surge Current Duration

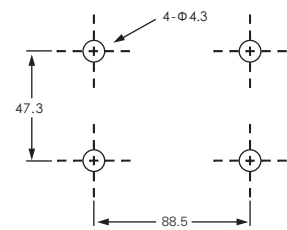
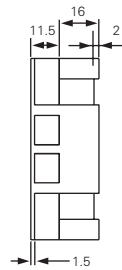
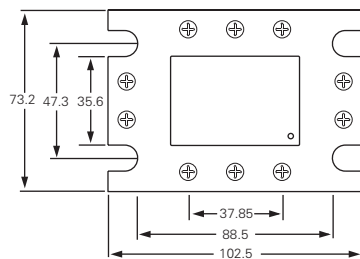


CONNECTION DIAGRAMS & DIMENSIONS

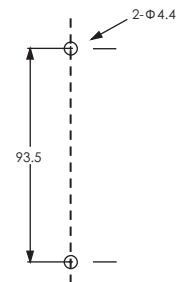
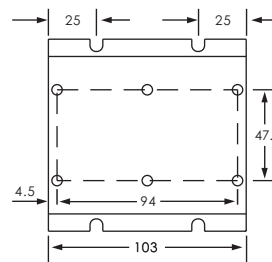
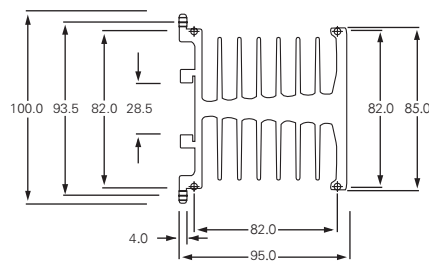


DIMENSIONS

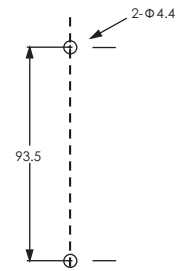
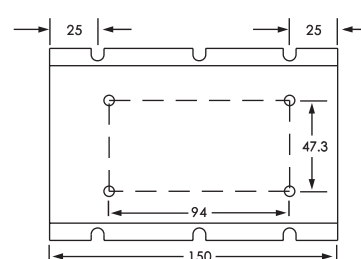
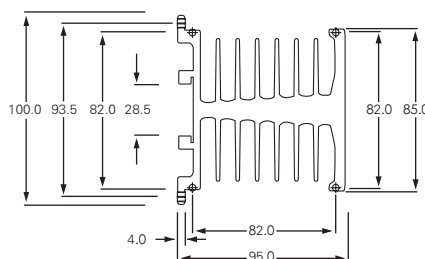
SSR3-□ DA SSR3-□ DA-H SSR3-□ AA SSR3-□ AA-H



HS-3(Heat Sink散热器)



HS-4(Heat Sink散热器)



HS-5(Heat Sink)

